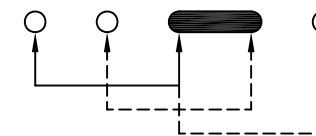
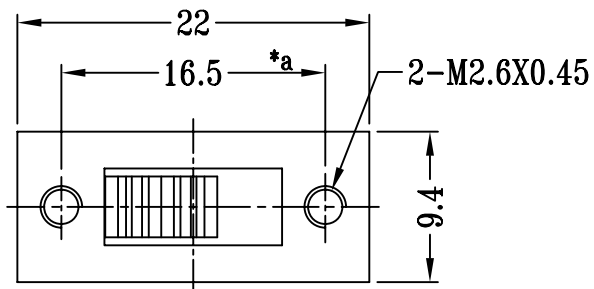
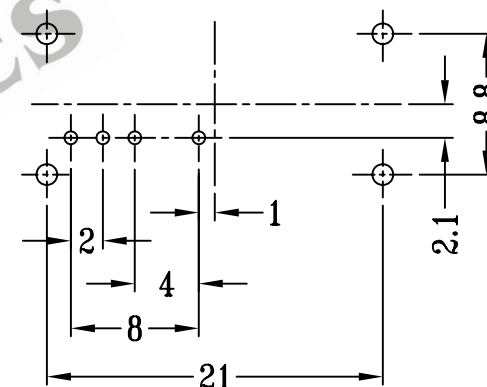
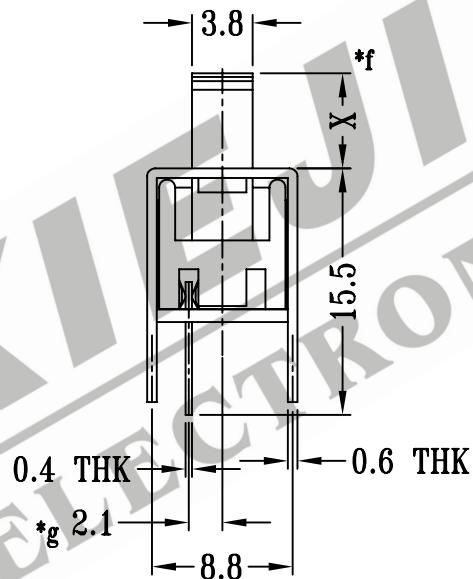
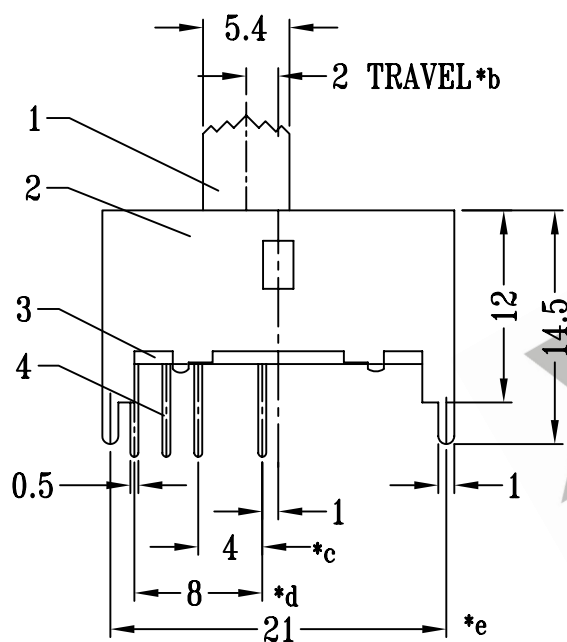


CAD FILE:



SCHEMATIC (SHORTING)



P.C.B LAYOUT

注:带"*"表示关键尺寸(7个)

NO.	PARTS	MATERIALS	Q'TY	FINISH	TOLERANCE UNLESS SPECIFIED	SHENZHEN XIEJIA ELECTRONICS CO.,LTD.				
8						TITLE : VERTICAL SLIDE SWITCH				
7	CONTACT (CLIP)	PBS STRIP	1	Ag PLATED						
6	SPRING	STEEL WIRE	1	TEMPER	WITHIN: 1.5±0.1mm	UNIT : mm				
5	STEEL BALL	STEEL	2	NATURAL	OVER : 1.5±0.2mm					
4	TERMINAL	BRASS STRIP	4	Ag PLATED OVER Ni PLATED	MODEL: SS-13D043					
3	TERMINAL BASE	PHENOLIC RESIN	1	NATURAL						
2	FRAME	STEEL STRIP	1	Ni PLATED	SCALE: 2:1					
1	KNOB	POM	1	BLACK						
					ALL MATERIALS MUST BE COMPLIANT TO ROHS					
						ISSUE	DATE	DESCRIPTIONS OF REVISION		APPD.
								DWN.	ZHOUYU	2005-8-12
								CHK'D	FANGYING	2005-8-12
								APPD.	KANGXINAN	2005-8-12